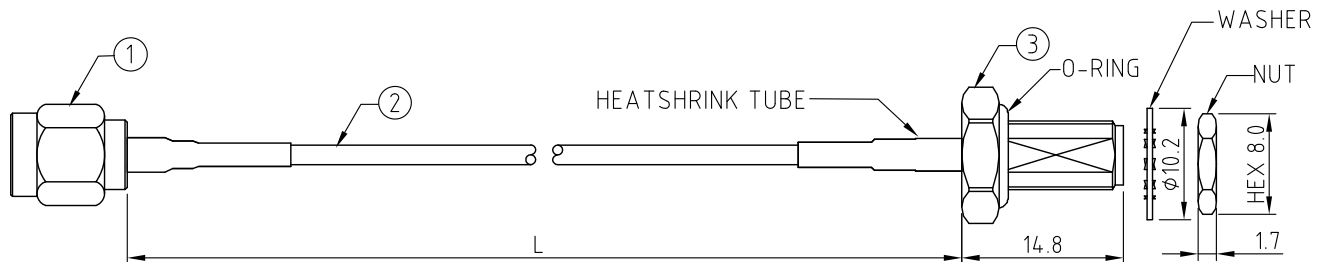


CABLE 243 RF: RF CABLE ASSEMBLY, SMA S/T MALE TO SMA STRAIGHT BULKHEAD JACK WITH O-RING RATED TO IP67/68 + MULTIPLE CABLE OPTIONS

SPECIFICATIONS :

- SMA STRAIGHT MALE, P/N:
 FOR RG178 CABLE: RFCT-SMA022-M78.
 FOR $\phi 1.13\text{MM}$ & $\phi 1.13\text{MM}$ LL CABLE: RFCT-SMA011-M13.
 FOR $\phi 1.32\text{MM}$ DS CABLE: RFCT-SMA038-M32.
 FOR $\phi 1.37\text{MM}$ CABLE: RFCT-SMA026-M37.
 FOR RG174 CABLE: RFCT-SMA096-M74.
- COAXIAL CABLE, SEE P/N FOR DETAIL.
- SMA STRAIGHT BULKHEAD JACK WITH O-RING RATED TO IP6768, P/N:
 FOR $\phi 1.13\text{MM}$ ~RG178 CABLE: RFCT-SMA002-F78.
 FOR RG174 CABLE: RFCT-SMA002-F74.

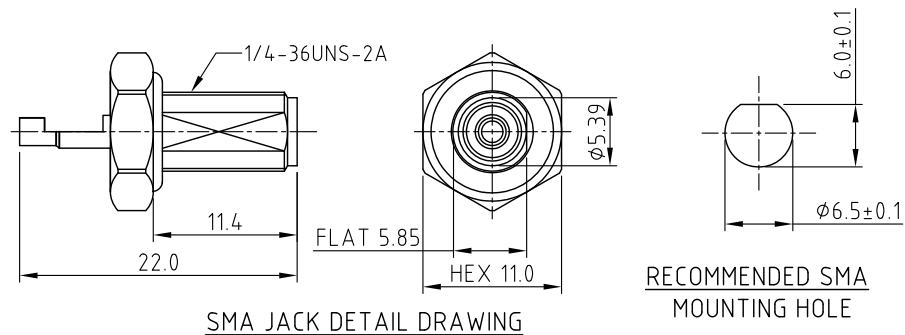


ENVIRONMENTAL:

- A. BULKHEAD MOUNTED CONNECTOR (RFCT-SMA002-Fxx)
 TESTED TO THE FOLLOWING SPECIFICATION:
- IP6X - DUST TIGHT - NO PARTICLE INGRESS.
 - IPX7 WATERPROOF FOR 30 MINUTES UP TO 1 METER UNDERWATER.
 - IPX8 WATERPROOF FOR 48 HOURS AT 1 METER UNDERWATER.
 - IPX8 WATERPROOF FOR 12 HOURS AT 5 METERS UNDERWATER.
 - PRESSURE TEST - 1 BAR FOR 10 SECONDS.

NOTES:

- WORKING FREQUENCY RANGE: DC-3GHz.
- OPERATING TEMPERATURE: -40°C ~ $+125^{\circ}\text{C}$ (1.13MM~RG178 CABLE)
 -20°C ~ $+80^{\circ}\text{C}$ (RG174 CABLE)
- IMPEDANCE: 50 OHM.

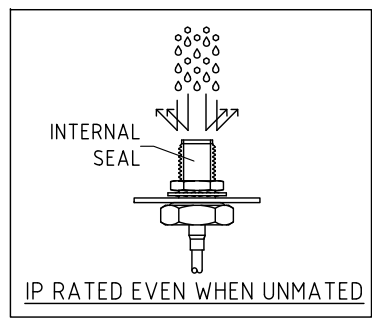


HOW TO ORDER
 CABLE 243 RF - X X X X - X - X

"L" LENGTH IN MM:
 eg: 100MM = 0100
 (MIN. 0050, MAX. 2000,
 STANDARD = 0100, 0150, 0200)
 Tolerance: 50mm: $\pm 2\text{mm}$.
 51-200mm: $\pm 5\text{mm}$.
 201-500mm: $\pm 7\text{mm}$.
 >500mm: $\pm 10\text{mm}$.

CABLE SIZE OPTIONS:
 1 = RG178 CABLE, COLOR: BROWN
 2 = $\phi 1.13\text{MM}$ CABLE, COLOR: GRAY
 3 = $\phi 1.13\text{MM}$ LOW LOSS CABLE, COLOR: GRAY
 4 = $\phi 1.32\text{MM}$ DS CABLE, COLOR: GRAY
 5 = $\phi 1.37\text{MM}$ CABLE, COLOR: BLACK
 6 = RG174 CABLE, COLOR: BLACK

WASHER AND NUT OPTIONS:
 BLANK = SEPARATELY PACKED (STANDARD)
 A = ALL ASSEMBLED WITH CONNECTOR



REV. DATE & DRN	10 07/08/16 - R/H RELEASE
11 31/07/17 - NYW ADD 1.5MMH CABLE OPTIONS.	
12 ADD 1.32DS CABLE OPTIONS.	
13 27/05/19 - NYW ADD OPERATING TEMP.	
14 20/09/19 - NYW ADD 1.37 CABLE OPTION	
15 06/11/20 - NYW ADD NOTE 3.	
16 19/10/22 - NYW ADD CABLE SIZE OPTION 6.	
17 03/03/24 - CC ADD IP RATING VIEW	

Scale: NTS	THIRD ANGLE	Unstated Tolerances: .X N/A .XX N/A .XXX N/A ANGLES N/A
Drawn: CC		
App'd: XXX	Title CABLE ASSEMBLY	
Date: 3 MAR. '24	Revision: 1.7	Unit: mm



IP Rated RF Products
 www.gradconn.com
 THIS DRAWING IS CONFIDENTIAL AND MUST NOT BE COPIED OR DISCLOSED WITHOUT WRITTEN CONSENT

Type: Cable 243 RF
CABLE 243 RF
Drawing Number:
Sheet 1 of 1
Drawing © E and O E